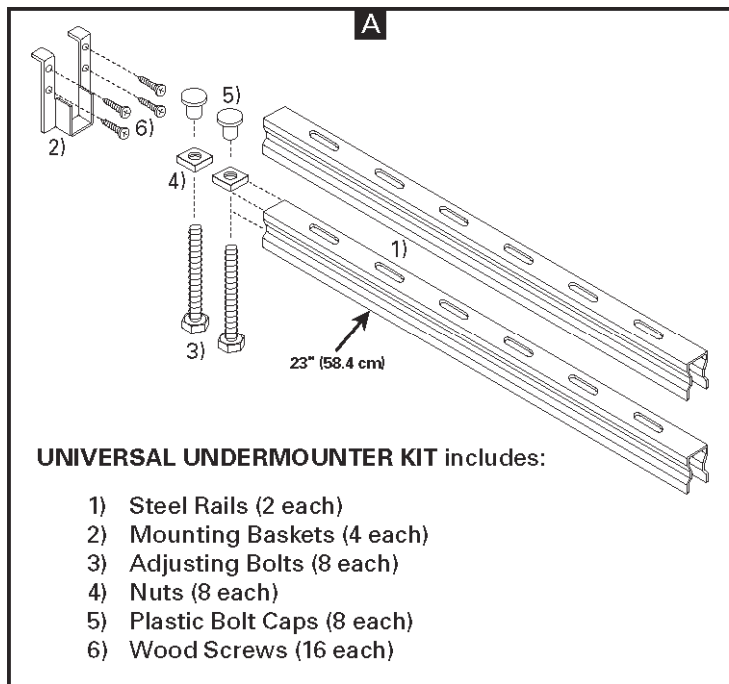
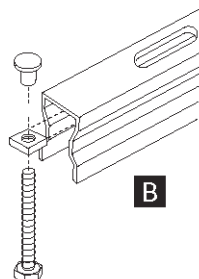


UNIVERSAL UNDERMOUNTER™ INSTALLATION INSTRUCTIONS

Patent No. 5,742,501

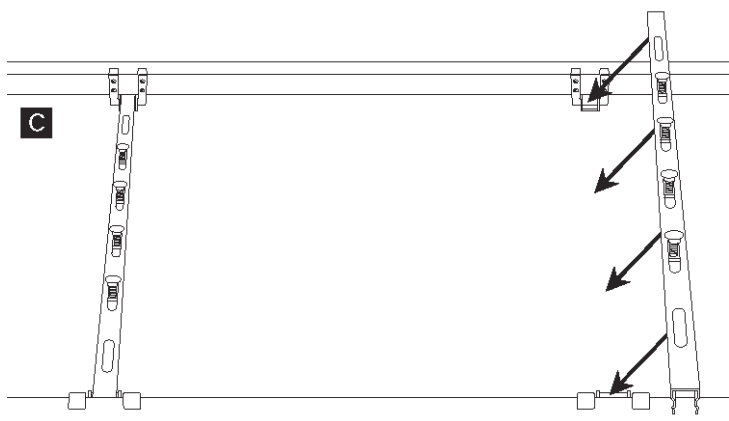


1 Start Adjusting Bolts into nuts and slide into position in rails and attach plastic caps (B). They should be evenly located along the underside of the sink deck.

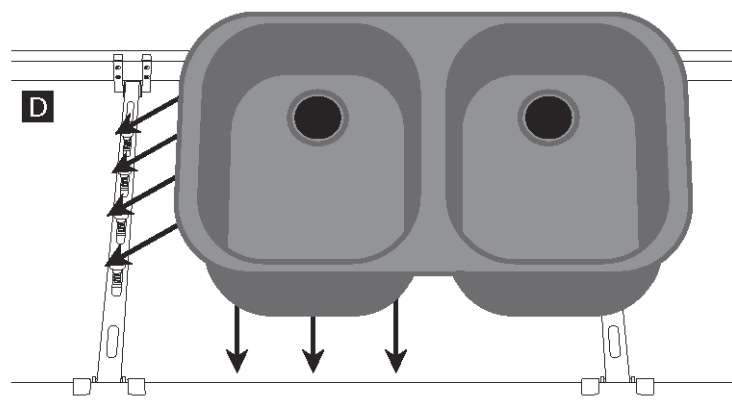


2 Measure sink and cabinet to determine location of rails. Rails should run front to back, alongside sink bowl/bowls. Sink deck should rest on the supporting screws (see drawings C and D). Sink bowl/bowls between rails.

3 Screw the Mounting Baskets to the sink base cabinet in position as measured (use all 4 included wood screws on each side of rail). Place rails into Mounting Baskets (C).

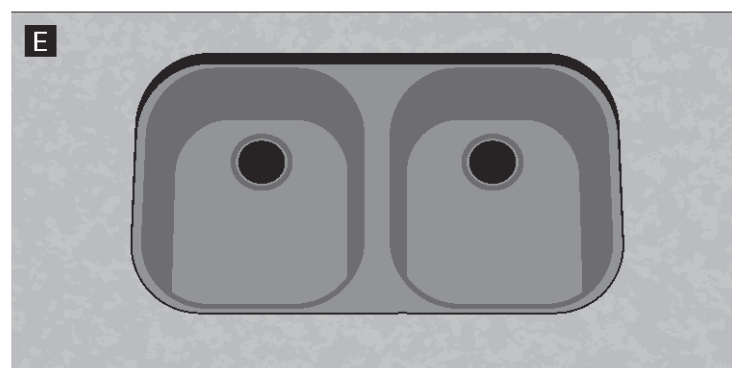


4 Place the sink on the adjusting screws (D).



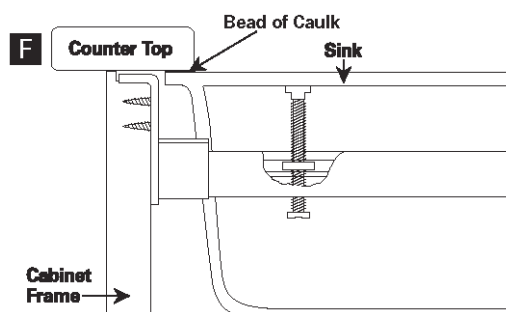
5 Add a bead of silicone adhesive/caulk to the top of the sink deck (to create a watertight seal when the countertop is placed on the sink).

6 The countertop should now be put in place (E).



7 With the countertop now in place check to see that the sink is centered properly in relation to the cut out of the countertop. Raise the sink up by tightening the adjusting bolts until there is a watertight seal between the countertop and the sink deck. Remove excess caulk.

The rails may be cut down to fit a narrower base cabinet. For larger non-standard installations longer rails are available. Check with your store for special order undermounters and accessories.



VANCE INDUSTRIES, INC. 5617 West Howard Street • Niles, IL 60714

Phone: (847) 983-0960 • Fax: (847) 983-0992 • E-mail: sales@vanceind.com • Website: www.vanceind.com